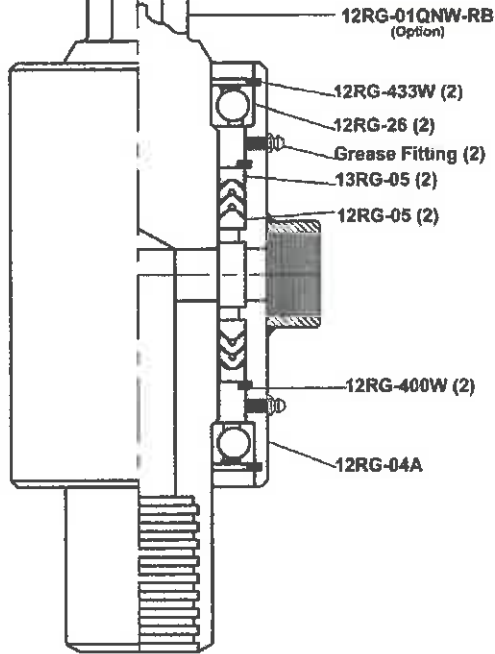


SIDE INLETS "SPECIAL SWIVEL" 12RG



- Manufactured from high grade alloy steel
- Working Pressures to 750 PSI
- Radial Ball Bearings for smooth rotation
- Non adjustable chevron (V-ring) packing
- Grease Lubricated
- Can be used for both mud and air drilling
- Can be repaired if necessary in the field

TECHNICAL DATA

MODEL#	OVERALL LENGTH	WIDTH	WEIGHT LBS.	UPPER	HOSE CONN.	LOWER CONN.	WATERCOURSE CONN.
12RG	14-1/16"	5"	35.0	1-5/8" OR 2" HEX	1-1/4"	NW BOX	1-1/4"

PARTS LIST

PART NO.	DESCRIPTION	QTY REQ.	WT/LBS EACH	PRICE
12RG-4015-XX	WESTERN SIDE INLET SWIVEL 1 5/8" OR 2" MALE HEX TOP CONNECTION, 1 1/4" NPT FEMALE HOSE CONNECTION, WITH NW RH BOX OR NWJ RHP IN LOWER CONNECTION			972.79
	ADD FOR "SPECIAL STEM"			275.00
12RG-01QNW-RB	STEM, 1-5/8" HEX BY NW RH BOX	1	16.50	475.81
12RG-01RNW-RB	STEM, 2" MALE HEX BY NW RH BOX	OPTION	18.50	475.81
12RG-01QNWJ-RP	STEM, 1 5/8" MALE HEX BY NWJ RH PIN	OPTION	17.50	475.81
12RG-01RNWJ-RP	STEM, 2" MALE HEX BY NWJ RH PIN	OPTION	19.50	475.81
12RG-04	PACKOFF HOUSING	1	14.50	361.17
12RG-05	PACKING SET	2	.50	29.01 set
12RG-26	BEARINGS	2	2.50	57.07 ea
12RG-400W	RETAINER, PACKING	2	.10	11.92 ea
12RG-433W	RETAINER, BEARING	2	.10	13.82 ea
13RG-05	RING, PACKING SEAT	2	.30	79.36

Other sizes of connections available, please consult factory.

Option for above swivel, may affect pricing of complete swivel. Other options available, please consult factory.

